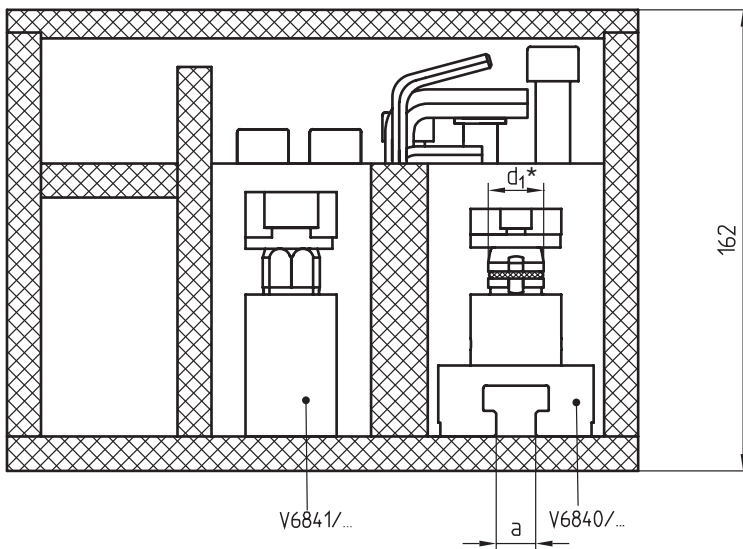


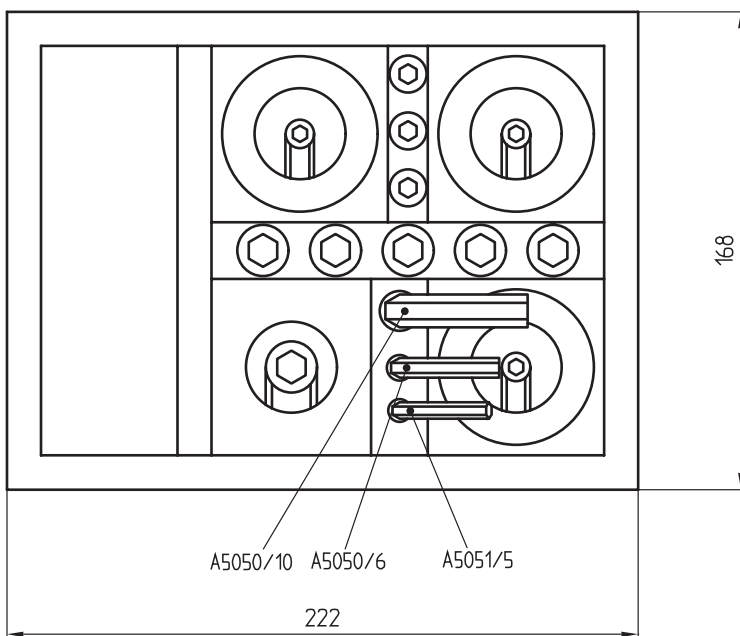
V6822/...




► Info



\* für  
for K20/... + K252/...  
pour



V6840/...	V6841/...	A5051/5	A5050/6	A5050/10	 a	d <sub>1</sub>	Nr./No.
3	1	1	1	1	14	20	V6822/14/20
						26	26
						30	30

This is trial version  
www.adultpdf.com